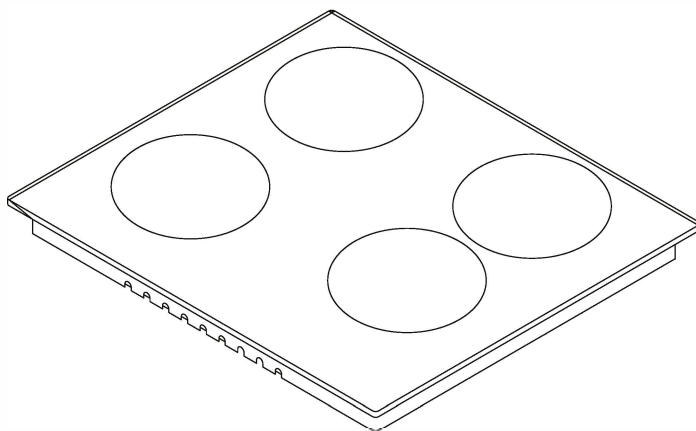


# simfer

Electric built-in cooktop

Варочная поверхность электрическая встраиваемая



Модели:

User manual

Руководство по эксплуатации

**Dear User,**

Our objective is to make this product provide you with the best output which is manufactured in our modern facilities in a careful working environment, in compliance with total quality concept.

Therefore, we suggest you to read the user manual carefully before using the product and, keep it permanently at your disposal.

**Note:** This user manual is prepared for more than one model. Some of the features specified in the Manual may not be available in your appliance.

All our appliances are only for domestic use, not for commercial use.

Products marked with (\*) are optional.

**“Conforms with the WEEE Regulations.”**

## Contents

Important warnings.....	4
Methods for protecting ceramic glass cooking surface.....	10
Electrical connection.....	12
Introduction of the appliance.....	13
Technical features.....	14
Installation of cooktop.....	15
Counter cutting sizes.....	18
Control panel.....	19
Usage of your cooktop.....	20
Maintenance and cleaning.....	21
Troubles and solution proposals.....	22
Handling rules.....	22
Environmentally-friendly disposal.....	23
Package information.....	23

## IMPORTANT WARNINGS

1. Installation and repair should always be performed by **“AUTHORIZED SERVICE”**. Manufacturer shall not be held responsible for operations performed by unauthorized persons.
2. Please read this operating instructions carefully. Only by this way you can use the appliance safely and in a correct manner.
3. The cooker should be used according to operating instructions.
4. Keep children below the age of 8 and pets away when operating.
5. **WARNING: Fire hazard; do not store the materials on the cooking surface.**
6. **WARNING: The appliance and its accessible parts are hot during operation.**
7. Setting conditions of this device are specified on the label. (Or on the data plate)
8. The accessible parts may be hot when the grill is used. Small children should be kept away.
9. **WARNING: This appliance is intended for cooking. It should not be used for other purposes like heating a room.**
10. To clean the appliance, do not use steam cleaners.
11. NEVER try to put out the fire with water. Only shut down the device circuit and then cover the flame with a cover or a fire blanket.

**12.** Children under 8 years of age should be kept away, if they cannot be monitored continuously.

**13.** Touching the heating elements should be avoided.

**14. CAUTION: Cooking process shall be supervised. Cooking process shall always be supervised.**

**15.** The appliance is not suitable for use with an external timer or a separate remote control system.

**16.** This device can be used by children over 8 years of age, people with physical, hearing or mental challenges or people with lack of experience or knowledge; as long as control is ensured or information is provided regarding the dangers.

**17.** This device has been designed for household use only.

**18.** Children must not play with the appliance. Cleaning or user maintenance of the appliance shall not be performed by children unless they are older than 8 years and supervised by adults.

**19.** Keep the appliance and its power cord away from children less than 8 years old.

**20.** Put curtains, tulle, paper or any flammable (ignitable) material away from the appliance before starting to use the appliance. Do not put ignitable or flammable materials on or in the appliance.

**21.** Keep the ventilation channels open.

**22.** Do not heat closed cans and glass jars. The pressure may lead jars to explode.

**23.** Do not use the product in states like medicated and/or under influence of alcohol which may affect your ability of judgement.

**24.** After each use, check if the unit is turned off.

**25.** Be careful when using alcohol in your foods. Alcohol will evaporate at high temperatures and may catch fire to cause a fire if it comes in contact with hot surfaces.

**26.** If the appliance is faulty or has a visible damage, do not operate the appliance.

**27.** Do not put objects that children may reach on the appliance.

**28.** The packaging materials are dangerous for children. Keep packaging materials away from the reach of children.

**29.** Cooker supply can be disconnected during any construction work at home. After completing the work, re-connecting the cooker shall be done by authorized service.

**30.** Do not place metal utensils such as knife, fork, spoon on the surface of the appliance, since they will get hot.

**31.** To prevent overheating, the appliance should not be installed behind of a decorative cover.

**32.** Turn off the appliance before removing the safeguards. After cleaning, install the safeguards according to instructions.



33. Cable fixing point shall be protected.

34. **CAUTION: If the glass of the stove is broken, turn off any heating element immediately and disconnect the appliance from power source, do not touch the surface of the appliance and do not use the appliance.**

35. User should not handle the cooker by himself.

36. When not turning of the cooker during cooking, user can touch hot surfaces causing burns.

37. If heavier loads are places on the cooker, these loads can trip over. It may cause personal injuries.

38. Allow disconnection of the appliance after installation, by accessible plug or a switch in the fixed wiring, unless.

## Electrical Safety

1. Plug the appliance in a grounded socket protected by a fuse conforming to the values specified in the technical specifications chart.
2. Have an authorized electrician set grounding equipment. Our company shall not be responsible for the damages that shall be incurred due to using the product without grounding according to local regulations.
3. **WARNING: If the surface is cracked, turn off the appliance to avoid risk of electric shock.**
4. Never wash the appliance by spraying or pouring water on it. There is a risk of electrocution.
5. Do not touch the plug with wet hands. Do not pull the cord to plug off, always hold the plug.
6. Unplug the unit during installation, maintenance, cleaning and repair.
7. Make sure the plug is inserted firmly into wall socket to avoid sparks.
8. If the power supply cord (the cord with plug) is damaged, this cord shall be replaced by the manufacturer or its service agent or an equally qualified personnel to prevent a hazardous situation.
9. Do not use cut or damaged cords or extension cords other than the original cord.
10. Do not use steam cleaners for cleaning the appliance, otherwise electric shock may occur.





**11.** Make sure there is no liquid or humidity in the outlet where the product plug is installed.

**12.** An omnipolar switch capable to disconnect power supply is required for installation. Disconnection from power supply shall be provided with a switch or an integrated fuse installed on fixed power supply according to building code.

**13.** The power supply cord (the cord with plug) shall not contact the hot parts of the appliance.

**14.** Unplug the unit during installation, maintenance, cleaning and repair.

**15.** Appliance is equipped with a **type “Y”** cord cable.

**16.** The circuit breaker switches of the cooker shall be placed so that end user can reach them when the cooker is installed.

**17.** Fixed connections shall be connected to a power supply enabling omnipolar disconnection. For appliances with over voltage category below III, disconnection device shall be connected to fixed power supply according to wiring code.

**18.** Do not remove ignition switches from the appliance. Otherwise, live electric cables can be accessed. It may cause an electric shock.

## Methods for Protecting Ceramic Glass Cooking Surface

Ceramic glass surface is unbreakable and scratch resistant to a certain degree. However, to avoid any damage, please do the following:

1. Never pour cold water on hot cookers.
2. Do not stand on a ceramic glass plate.
3. Sudden pressure, for example, the effect of a falling salt shaker may be critical. So, do not place such objects on a place above the hobs.
4. After each use, make sure that the base of the cooking pot and surfaces of cooking zones are clean and dry.
5. Do not peel vegetables on the hob surfaces. Sand grains falling from the vegetables may scratch the ceramic glass plate.
6. Do not lay flammable materials such as cardboard or plastic on the oven. Objects such as tin, zinc, or aluminium (as well as aluminium foils or empty coffee pots) may melt on hot cooking surfaces and thus cause damage.
7. Take care not to let sugary foods or fruit juices contact the hot cooking zones. The ceramic glass surface may be stained by these.



## **Intended Use**

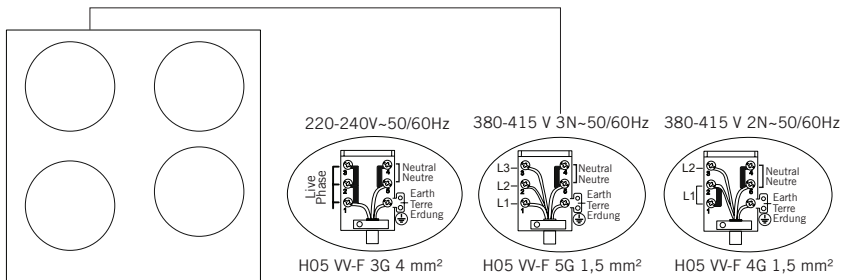
- 1.** This product is designed for home use. Commercial use of the appliance is not permitted.
- 2.** This appliance may only be used for cooking purposes. It shall not be used for other purposes like heating a room.
- 3.** The manufacturer assumes no responsibility for any damage due to misuse or mishandling.
- 4.** Operational life of the product you have purchased is 10 years. This is the period for which the spare parts required for the operation of this product as defined is provided by the manufacturer.

## Electrical Connection

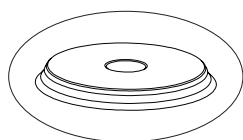
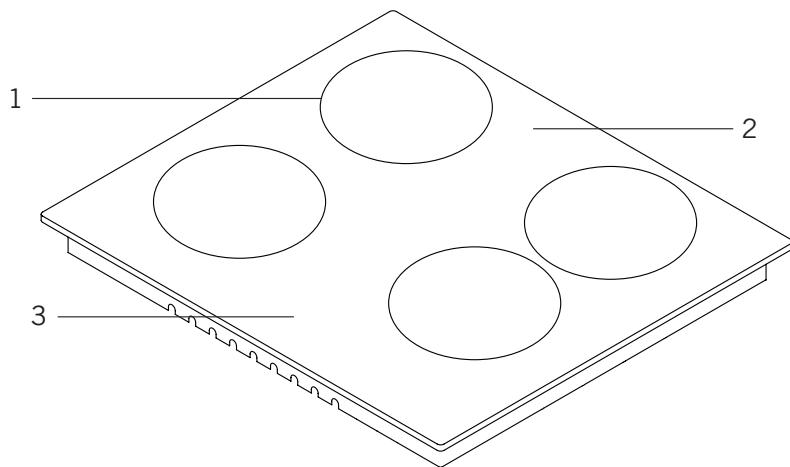
1. Setting conditions of this appliance is indicated in tag or data plate.
2. Your appliance should be plugged in a fuse appropriate for electric power. If necessary, it is recommended that installation is done by authorized service.
3. Your appliance is configured in accordance with electrical supply of 220-240 V AC / 380-415 V 3N AC 50/60 Hz.
4. If main electrical network is different from these values, contact with your authorized service.
5. Electrical connections of your appliance should only be made to the fuses having suitably wired grounding (grounded) system. If no convenient fuse is available in the place where your appliance is to be installed, contact with authorized service immediately. Manufacturing firm is not responsible definitely for the damages that fuses whose grounding is not made and connected to the appliance can cause.
6. Plug of the appliance should be close to be accessed easily to the fuse whose grounding is made without use of extension cord.
7. Do not allow contacting the power cable of your appliance with hot regions. Similarly, keep away it from sharp edges and corners.
8. If feeder cord is damaged, this cord should be replaced either by manufacturer or its service agency or same degree qualified personnel in order to hinder a dangerous situation.
9. Wrong electrical connection may give damage to the appliance. In this case, your appliance will remain out of guarantee scope. Electrical connection of your appliance should be done by authorized service.

### Electrical connection scheme

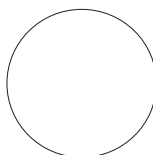
Get electrical connection of your appliance done to authorized person in line with the following scheme.



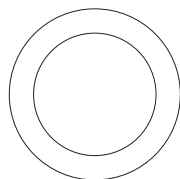
## INTRODUCTION OF THE APPLIANCE



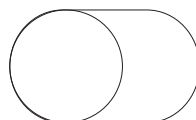
4



5



6



7

1. Heater positions
2. Glass or metal surface
3. Control switches
4. Hotplate (145 mm or 180 mm) \*
5. Ceramic heater (180 mm or 140 mm) \*
6. Double ceramic heater (120 mm / 180 mm or 220 mm / 300 mm) \*
7. Oval dual ceramic heater (140 mm / 250 mm) \*

## Technical features

You can operate electric cooktops by turning the button on control panel you want to use to the level you desire. Cooktop powers as per levels are given in the following table.

Specifications	Level 1	Level 2	Level 3	Level 4	Level 5	Level 6
80 mm hotplate	200 W	250 W	450 W	---	---	---
145 mm hotplate	250 W	750 W	1000 W	---	---	---
180 mm hotplate	500 W	750 W	1500 W	---	---	---
145 mm rapid hotplate	500 W	1000 W	1500 W	---	---	---
180 mm rapid hotplate	850 W	1150 W	2000 W	---	---	---
145 mm hotplate	95 W	155 W	250 W	400 W	750 W	1000 W
180 mm hotplate	115 W	175 W	250 W	600 W	850 W	1500 W
145 mm rapid hotplate	135 W	165 W	250 W	500 W	750 W	1500 W
180 mm rapid hotplate	175 W	220 W	300 W	850 W	1150 W	2000 W
180 mm ceramic heater	1800 W					
140 mm ceramic heater	1200 W					
140 / 250 mm ceramic heater	1800 W					
120 / 180 mm ceramic heater	1700 W					
220 / 300 mm ceramic heater	2400 W					
Supply voltage	220-240 V AC / 380-415 V 3N AC 50/60 Hz.					

**WARNING:** For the modification to be done by authorized service, this table should be considered. Manufacturer may not be held responsible for any problems rising because of any faulty modification.

**WARNING:** In order to increase the product quality, the technical specifications may be changed without prior notice.

**WARNING:** The values provided with the appliance or its accompanying documents are laboratory readings in accordance with the respective standards. These values may differ depending on the use and ambient conditions.

## INSTALLATION OF COOKTOP

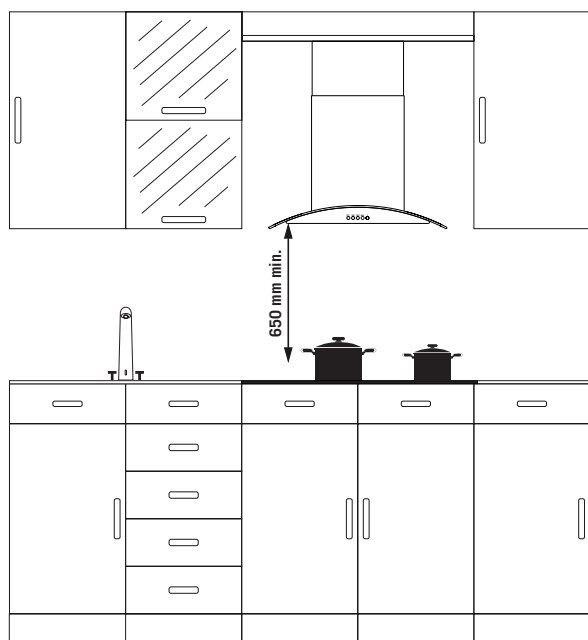
Check if the electrical installation is proper to bring the appliance in operating condition. If electricity installation is not suitable, call an electrician and plumber to arrange the utilities as necessary. Manufacturer shall not be held responsible for damages caused by operations performed by unauthorized persons.

**WARNING:** It is customer's responsibility to prepare the location the product shall be placed on and also to have the electrical installation prepared.

**WARNING:** The rules in local standards about electrical installations shall be followed during product installation.

**WARNING:** Check for any damage on the appliance before installing it. Do not have the product installed if it is damaged. Damaged products cause a risk for your safety.

### Correct Place For Installation



Product is designed in accordance with the kitchen counters supplied from market. A safe distance should be left between the product and kitchen walls and furniture. If hood/aspirator will be installed over your appliance, obey to the recommendation of hood / aspirator manufacturer for assembly height. (min. 65 cm)

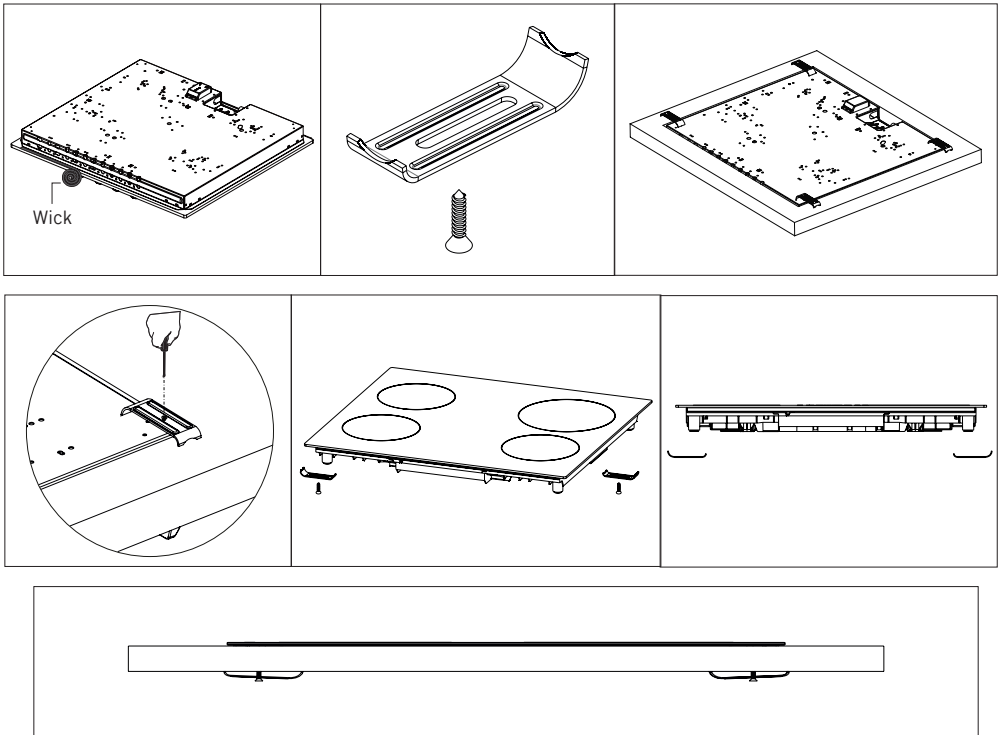
The gap that cooktop is to be placed on the counter should be cut in line with cooktop installation dimensions.

For installation of the product, the rules specified in local standards related to electricity should be complied.

## Installation

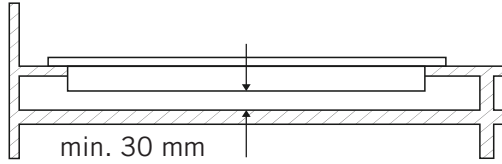
1. Turn the cooktop down and place on smooth ground.
2. In order to prevent entrance of foreign substances and liquids between cooktop and counter, apply the paste given in package to the sides of lower guard of counter. For corners, curl paste and increase curls till filling corner gaps.
3. Turn cooktop again and align with and place on counter.
4. Fasten up your cooktop on counter by using the clamp and screws supplied.

## Installation Diagram





5. When product is mounted on a drawer, if it is possible to touch lower side of product, this section should be separated with a wooden shelf.

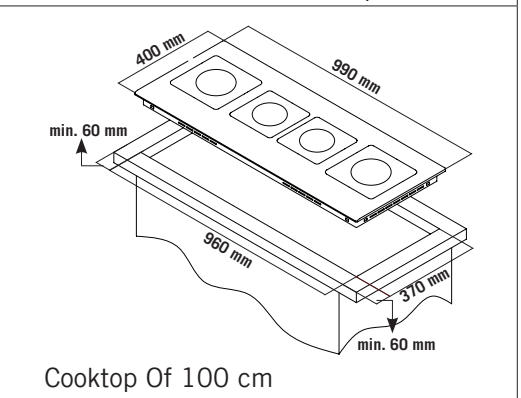
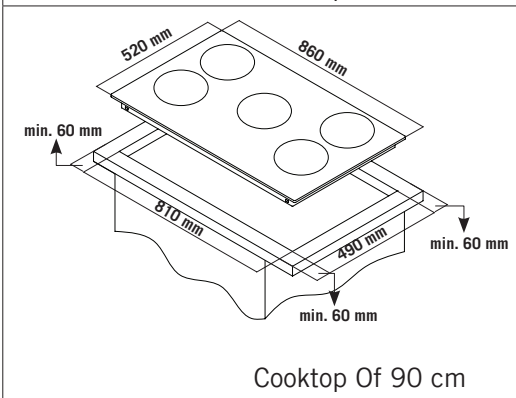
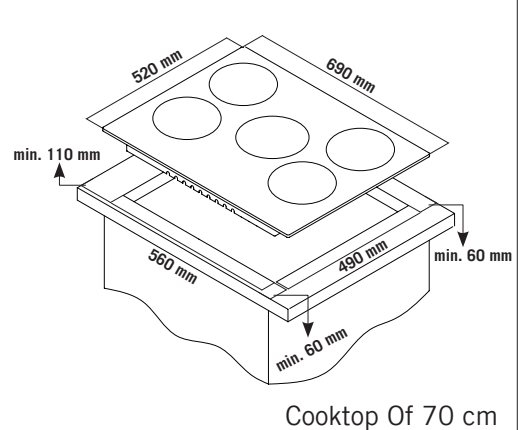
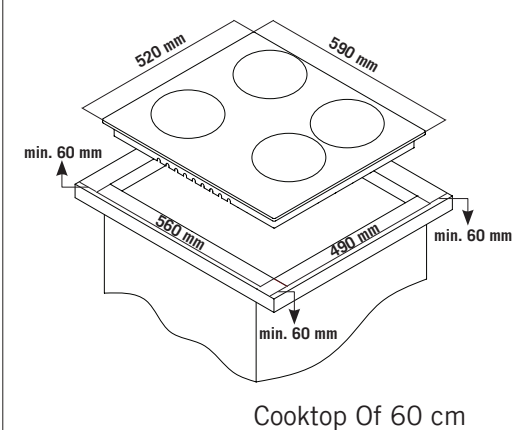
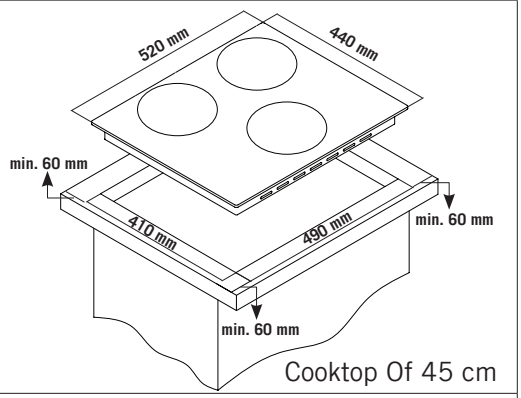
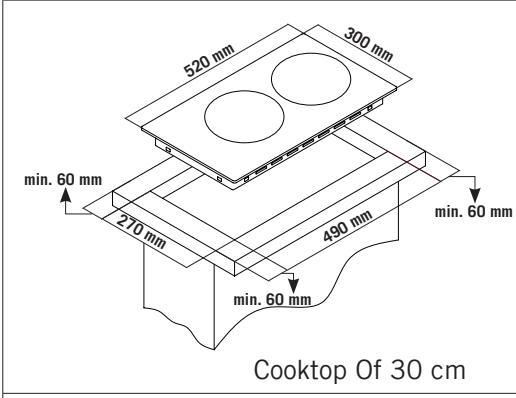


6. While mounting cooktop on a closet, as shown in the figure above, in order to separate between closet and cooktop, a shelf should be mounted. If it is mounted on a built-in oven, there is no need to do that.

7. If your cooktop will be mounted next to right or left wall, the minimum distance between wall and cooktop should be 50 mm.

## Counter Cut-Off Dimensions

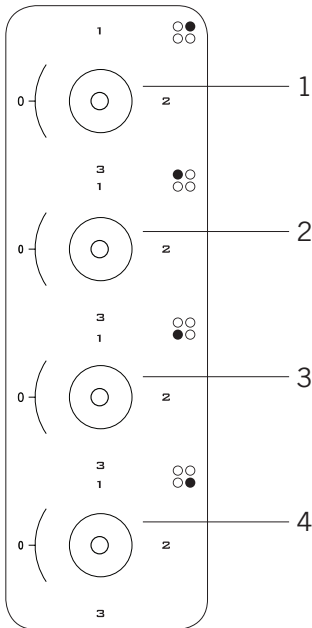
Pay attention to the drawings and dimensions given below while making cooktop installation and adjusting counter cutting sizes.



## CONTROL PANEL

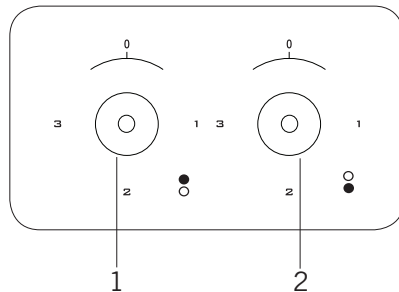
### Electrical Heater (hotplate) Cooktop Panel Visual

#### Cooktop Panel Visual Of 60 cm



1. 180 mm electrical heater (hotplate)
2. 145 mm electrical heater (hotplate)
3. 180 mm electrical heater (hotplate)
4. 145 mm electrical heater (hotplate)

#### Cooktop Panel Visual Of 30 cm

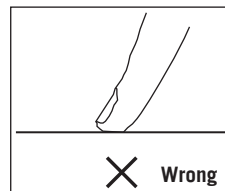
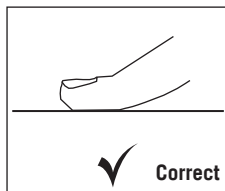


1. 180 mm electrical heater (hotplate)
2. 145 mm electrical heater (hotplate)

**WARNING:** The control panel above is only for illustration purposes. Consider the control panel on your device.

#### Warnings About Using The Touchmatic Control

1. The controls react to touching, so you do not need to apply any pressure to the controls.
2. Use the bottom, not the tip of your finger while using the device.



3. Make sure that the touch controls are always clean and dry. Even a thin layer of water may make it difficult for touch controls to work.

## USAGE OF YOUR COOKTOP

1. Place the pots and pans so that their handles are not placed above the hobs to prevent heating of the handles.
2. Place suitable amount of food to the pots and pans. Thus, you may prevent overflowing of meals and avoid unnecessary cleaning.
3. Do not use containers that are unstable and that may be easily tipped over on the cooktop.
4. Do not put empty pots and pans on the hobs with their flames on.
5. Always turn off the hobs after each use.
6. Do not put containers that may be affected by heat on the product.
7. Do not operate the hobs without any pots and pans placed on them.
8. Do not place the lids of the pots and pans on the hobs.
9. When you want to put the pot on another hob, take the pot up and place it again instead of sliding it.
10. Keep the lid of container you use for heating oil open.
11. Do not put oil with a volume more than one third of the pan. Do not leave the oil unattended when the oil is being heated. Extremely hot oils may cause fire.
12. Use pots and pans with machined bases only. Sharp edges cause scratches on the surface.
13. Do not use aluminium pots and pans. Aluminium cause damages to the hob surface.



Splashes and overflow may cause damage to the cooktop surface and fire.



Do not use containers with convex or concave bases.



If the diameter of the pot is smaller than the diameter of the hob, this shall waste energy.



Use pots and pans with flat bases only.

## MAINTENANCE AND CLEANING

Before starting to maintenance or cleaning, firstly unplug the plug supplying electricity to cooktop and turn down gas valve. If cooktop is hot, wait for cooling down.

1. For the purpose that your cooktop has long and economic life, regular cleaning and maintenance should be performed on your cooktop.

2. Do not clean your cooktop with scratching tools such as bristle brush, wire wool or knife. Do not use abrasive, scratching, acid materials or detergent.

3. Following mopping parts of your cooktop with soapy cloth, rinse it, later rinse well with a soft cloth.

4. Clean glass surfaces with special glass cleaning substances. As scratching of glass surfaces leads to breaking, while cleaning glass surfaces, do not use abrasive cleaners or sharp metal scrapers.

5. Do not clean your cooktop with steamy cleaners.

6. In the course of cleaning your cooktop, never use flammable materials such as acid, thinner and gas.

7. Do not wash plastic and aluminium parts of your cooktop in dishwasher.

8. Clean vinegar, lemon, salt, coke and similar acid and alkaline containing substances poured on your cooktop immediately.

9. In time, cooktop buttons turns hard or never turn any more, in such circumstances, it may be necessary that buttons are changed. The change should only be done by authorized service.

## **TROUBLES AND SOLUTION PROPOSALS**

You can solve the troubles you can encounter at your product by checking the following points before calling technical service.

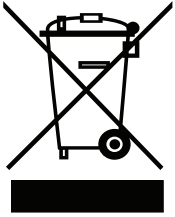
### **If cooktop does not operate;**

1. Check if power cable of cooktop is plugged in.
2. Examine with safe ways if electric exists on network.
3. Audit fuses.
4. Control whether damage is available on power cable.

### **HANDLING RULES**

1. Carry out the movement and transportation in the original packaging.
2. Pay maximum attention to the appliance while loading/unloading and handling.
3. Make sure that the packaging is securely closed during handling and transportation.
4. Protect from external factors (such as humidity, water, etc.) that may damage the packaging.
5. Be careful not to damage the appliance due to bumps, crashes, drops, etc. while handling and transporting and not to break or deform it during operation.

## ENVIRONMENTALLY-FRIENDLY DISPOSAL



Dispose of packaging in an environmentally-friendly manner.

This appliance is labelled in accordance with European Directive 2012/19/EU concerning used electrical and electronic appliances (waste electrical and electronic equipment - WEEE). The guideline determines the framework for the return and recycling of used appliances as applicable throughout to the EU.

## PACKAGE INFORMATION

Packaging materials of the product are manufactured from recyclable materials in accordance with our National Environment Regulations. Do not dispose of the packaging materials together with the domestic or other wastes. Take them to the packaging material collection points designated by the local authorities.

## УВАЖАЕМЫЙ ПОКУПАТЕЛЬ!

Благодарим Вас за то, что отдали предпочтение бытовой технике Simfer.

Simfer— это качество, надёжность, и внимательное отношение к потребностям покупателей. Надеемся, что Вам понравится продукция нашей компании, и в будущем Вы отдадите предпочтение технике Simfer.

Данное изделие произведено на современном оборудовании без нанесения вреда окружающей среде.

Соответствует требованиям положений Директивы ЕС об отходах электрического и электронного оборудования (WEEE).

### ПРИМЕЧАНИЕ

Данное руководство по эксплуатации предназначено для нескольких моделей, наличие режимов и функций может отличаться. Все рисунки схематичны. Функции и комплектующие, обозначенные знаком «\*», являются дополнительной опцией и могут отсутствовать в Вашем изделии.

Внимательно прочтите руководство, в нём даются важные указания по безопасной установке, эксплуатации и техобслуживанию. Позаботьтесь о сохранности руководства по эксплуатации для использования его в дальнейшем. При передаче данного устройства новому владельцу не забудьте передать все документы.



## Содержание

Важные предупреждения.....	26
Способы защиты стекла варочной поверхности .....	33
Электрическое соединение .....	35
Описание прибора.....	36
Технические характеристики.....	37
Установка варочной поверхности.....	38
Габаритные размеры прибора .....	41
Панель управления .....	42
Эксплуатация варочной поверхности .....	43
Техническое обслуживание и чистка.....	44
Проблемы и рекомендации по их устранению.....	45
Правила транспортировки .....	45
Экологически безопасная утилизация.....	46
Информация об упаковке.....	46

## ВАЖНЫЕ ПРЕДУПРЕЖДЕНИЯ

1. Установка и ремонт должны быть выполнены **АВТОРИЗОВАННЫМ СЕРВИСНЫМ ЦЕНТРОМ**  
Производитель не несет ответственности за работы, осуществляемые неофициальными сервисами.
2. Внимательно изучите данную инструкцию по эксплуатации, так вы сможете безопасно и правильно использовать прибор.
3. Поверхность должна использоваться в соответствии с правилами, указанными в инструкции по эксплуатации.
4. Не позволяйте детям младше 8 лет, и домашним животным приближаться к прибору, когда он работает.
5. **ПРЕДУПРЕЖДЕНИЕ: Пожароопасность: не храните материалы на варочной поверхности.**
6. **ПРЕДУПРЕЖДЕНИЕ: Во время эксплуатации данное устройство и его детали становятся горячими.**
7. Характеристики данного прибора находятся на заводской этикетке.
8. Доступные поверхности могут быть горячими  
Не подпускайте к панели маленьких детей.
9. **ПРЕДУПРЕЖДЕНИЕ: Данный прибор предназначен для приготовления пищи. Его нельзя использовать для других целей, таких как обогрев комнаты.**

10. Не используйте пароочистители для чистки прибора.

11. НИКОГДА не пытайтесь потушить огонь водой. Сначала выключите питание прибора, а затем закройте пламя крышкой или пожарным одеялом.

12. Детей до 8 лет не следует подпускать к прибору, если они не находятся под постоянным присмотром.

13. Следует избегать прикосновения к нагревательным элементам.

**14. ВНИМАНИЕ: Не следует оставлять процесс приготовления без присмотра.**

15. Прибор не подходит для эксплуатации с внешним таймером или отдельной системой дистанционного управления.

16. Данный прибор может использоваться детьми от 8 лет и старше, а так же лицами с ограниченными физическими, сенсорными или умственными способностями или при отсутствии опыта и знаний, только под присмотром, или в случае их инструктажа по использованию прибора.

17. Прибор разработан исключительно для использования в бытовых условиях.

18. Дети не должны играть с устройством. Чистка или обслуживание прибора не должны осуществляться детьми, если они младше 8 лет и не находятся под присмотром взрослых.

**19.** Храните прибор и шнур питания в месте, недоступном для детей в возрасте младше 8 лет.

**20.** Перед тем, как начать использовать прибор, уберите шторы, тюль, бумагу или любой воспламеняющийся (воспламеняемый) материал на безопасное расстояние. Не помещайте воспламеняющиеся или легковоспламеняющиеся материалы на прибор.

**21.** Держите вентиляционные каналы открытыми.

**22.** Не нагревайте консервы и стеклянные банки. Давление может привести к взрыву банок.

**23.** Не используйте прибор в таких состояниях, которое может повлиять на вашу умственную деятельность и координацию. Например, под воздействием лекарств и/или алкоголя.

**24.** После каждого использования проверьте, выключен ли прибор.

**25.** Будьте осторожны при смешивании алкоголя с едой. Алкоголь испаряется при высоких температурах и может вызвать пожар, если он соприкасается с горячими поверхностями.

**26.** Если прибор неисправен или имеет видимые повреждения, не используйте его.

**27.** Не размещайте предметы на приборе, которые могут быть доступными для детей.

28. Упаковочные материалы представляют опасность для детей. Храните упаковочные материалы в недоступном для детей месте.

29. Во время любых строительных работ дома поверхность должна быть отключена. После завершения работ повторное подключение поверхности должно выполняться специалистами авторизованных сервисных центров.

30. Не кладите металлические предметы, такие как ножи, вилки, ложки на поверхность включенного прибора, это может привести к ожогам.

31. Прибор нельзя устанавливать за декоративным покрытием во избежание перегрева.

32. Перед операцией по очистке и уходу отключите прибор от сети электропитания.

33. Места крепления кабеля должны быть защищены.

**34. ВНИМАНИЕ! Если стекло варочной панели имеет повреждения выключите все нагревательные элементы и отсоедините прибор от источника питания, не прикасайтесь к поверхности прибора и не используйте его.**

35. Пользователь не должен ремонтировать панель самостоятельно.

36. Поверхность включенной панели сильно нагревается. Существует опасность получить ожог.

37. Розетка для подключения должна располагаться в доступном месте.

**38.** Шнур питания не входит в комплект.

Приобретайте шнур согласно параметрам эл.сети.

**39.** Для сохранения гарантии не удаляйте этикетку на обратной стороне изделия с указанием модели и серийного номера.

## **Электробезопасность**

**1.** Подключите устройство в заземленную розетку, защищенную предохранителем, соответствующим значениям, приведенным в таблице технических характеристик.

**2.** Заземление должно быть выполнено квалифицированным электриком.

Наша компания не несет ответственности за ущерб, который может возникнуть в результате эксплуатации прибора без заземления в соответствии с местными правилами.

**3. ПРЕДУПРЕЖДЕНИЕ: Если на поверхности имеются трещины, следует отключать устройство во избежание поражения электрическим током.**

**4.** Никогда не мойте прибор путем распыления или наливания на него воды. Имеется риск поражения электрическим током.

**5.** Не касайтесь штепсельной вилки мокрыми руками. Не тяните за шнур питания, чтобы отключить прибор от сети электропитания; всегда придерживайте вилку рукой.

**6.** Во время установки, обслуживания, очистки и ремонта отключайте устройство.

**7.** Убедитесь, что штепсельная вилка плотно вставлена в розетку, чтобы избежать образования искр.

**8.** Если шнур питания (шнур со штепсельной вилкой) поврежден, такой шнур должен быть заменен специалистом по техническому обслуживанию во избежании опасности.

**9.** Не используйте порванные или поврежденные кабели или удлинители.

**10.** Не используйте пароочистители при очистке прибора, в противном случае может возникнуть поражение электрическим током.

**11.** При подключении штепсельной вилки к розетке, убедитесь, что в розетке нет жидкости или влаги.

**12.** Следует использовать автоматические выключатели, автоматы защиты от тока утечки при подключении прибора.

**13.** Шнур питания (шнур со штепсельной вилкой) не должен соприкасаться с горячими частями прибора.

**14.** Для установки, технического обслуживания, очистки и ремонта отключайте прибор от сети электропитания.

**15.** Автоматические выключатели варочной поверх

ности должны быть размещены так, чтобы они были доступны после установки.

**16.** Неподвижные соединения должны быть подключены к источнику питания, обеспечивающему многополюсное отключение. Для приборов с защитой от перенапряжения ниже III категории, устройство отключения должно быть подключено к источнику питания с фиксированным напряжением в соответствии с кодом проводки.

**17.** Не удаляйте выключатели зажигания с прибора. В противном случае могут быть оголены электрические кабели. Это может привести к поражению электрическим током.



## Способы защиты стекла варочной поверхности

Поверхность из керамического стекла является устойчивой к ударам и царапинам в определенной степени. Следующие указания помогут избежать повреждения панели.

1. Никогда не лейте холодную воду на горячие конфорки.
2. Не наступайте на стеклокерамическую поверхность.
3. Падение предметов, например солонки, может повредить поверхность. Поэтому не размещайте их над конфорками.
4. После каждого использования убедитесь, что дно кастрюли и поверхности варочных зон чистые и сухие.
5. Не очищайте овощи на поверхностях варочной панели. Частицы песка, выпавшие из овощей, могут поцарапать керамическую стеклянную плиту.
6. Не кладите на поверхность огнеопасные материалы, например: картон или пластик. Металлы, олово, цинк или алюминий (а также алюминиевая фольга или пустые кофейники) могут плавиться на горячей варочной поверхности и, таким образом, вызвать ее повреждение.
7. Следите за тем, чтобы сладкие продукты питания или фруктовые соки не попадали в горячие зоны приготовления. Они могут оставлять пятна на поверхности керамического стекла.

## Использование варочной поверхности

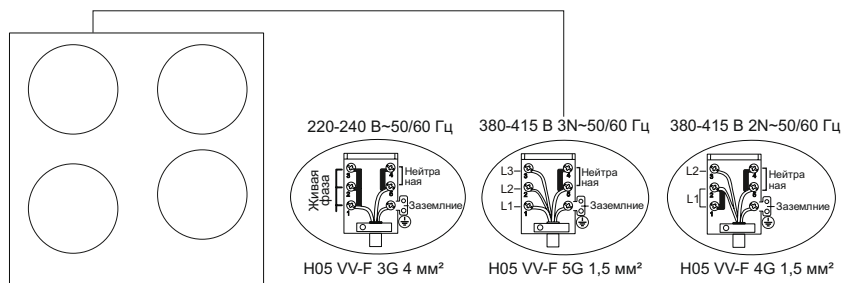
1. Поверхность предназначена для использования в бытовых условиях. Коммерческое использование не допускается.
2. Данный прибор можно использовать только для приготовления пищи. Его не следует использовать для других целей, таких как обогрев комнаты.
3. Производитель не несет ответственности за какие-либо повреждения, возникшие в результате неправильного использования устройства или обращения с ним.
4. Срок службы приобретенного Вами прибора составляет 10 лет. В течение данного периода времени запасные части, необходимые для работы этого прибора, как определено, предоставляются изготовителем.

## Электрическое соединение

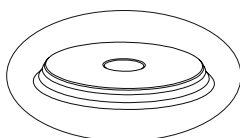
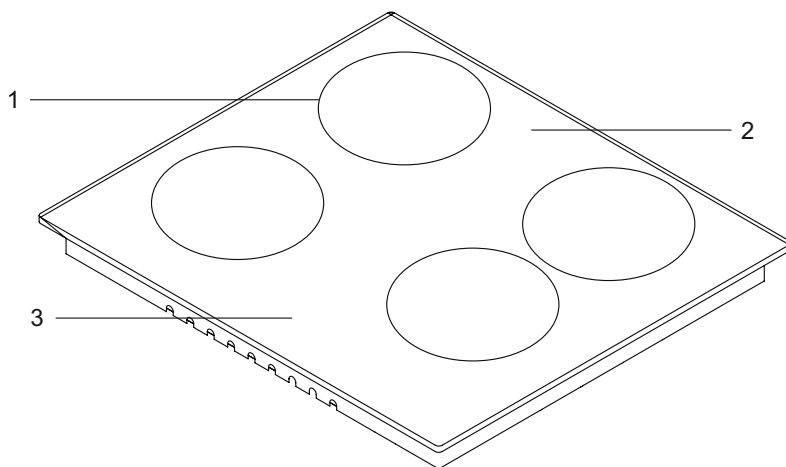
1. Установка и подключение устройства должно выполняться уполномоченным сервисом и в соответствии с указанием производителя.
2. Изделие необходимо подключить к предохранителю, соответствующему электрической мощности.
3. Ваше устройство настроено на подачу электричества 220-240 В AC / 380-415 В 3N AC 50/60 Гц.
4. Если параметры электрической сети отличаются от указанных, обратитесь в авторизованный сервисный центр.
5. Электрические соединения устройства должны выполняться только в розетках, обладающих соответствующей системой заземления. Если в месте расположения устройства не имеется розеток, соответствующих системе заземления, немедленно обратитесь в авторизованный сервисный центр. Фирма-изготовитель ни в коем случае не несет ответственность за повреждения, возникающие вследствие использования розеток без заземления.
6. Штепсельная вилка устройства должна находиться на расстоянии, позволяющем легко включить ее в заземленную розетку.
7. Не допускайте контакта электрического кабеля устройства с горячими частями. Также держите его вдали от острых краев и углов.
8. В случае повреждения силового кабеля, он должен быть заменен изготовителем или его авторизованным сервисом.
9. Неправильное электрическое подключение может нанести вред Вашему устройству. В таком случае устройство не будет обслуживаться в рамках гарантии.

## Схема электрического соединения

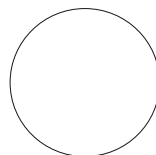
Подключение прибора осуществляется в соответствии со схемой.



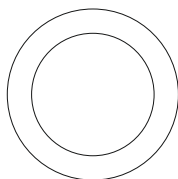
## ОПИСАНИЕ ПРИБОРА



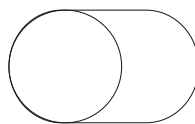
4



5



6



7

1. Электроконфорка
2. Стеклопанель или металлическая поверхность
3. Панель управления
4. Чугунная конфорка \*
5. Керамический нагреватель (180 мм или 140 мм) \*
6. Керамический нагреватель (120 мм / 180 мм или 220 мм / 300 мм) \*
7. Керамический нагреватель (140 мм / 250 мм) \*

## Технические Характеристики

Мощность конфорок, в зависимости от степени нагрева приведена в таблице ниже

Технические характеристики	Уровень 1	Уровень 2	Уровень 3	Уровень 4	Уровень 5	Уровень 6
80 мм чугунная конфорка	200 Вт	250 Вт	450 Вт	----	----	----
145 мм чугунная конфорка	250 Вт	750 Вт	1000 Вт	----	----	----
180 мм чугунная конфорка	500 Вт	750 Вт	1500 Вт	----	----	----
145 мм чугунная конфорка	500 Вт	1000 Вт	1500 Вт	----	----	----
180 мм чугунная конфорка	850 Вт	1150 Вт	2000 Вт	----	----	----
145 мм чугунная конфорка	95 Вт	155 Вт	250 Вт	400 Вт	750 Вт	1000 Вт
180 мм чугунная конфорка	115 Вт	175 Вт	250 Вт	600 Вт	850 Вт	1500 Вт
145 мм чугунная конфорка	135 Вт	165 Вт	250 Вт	500 Вт	750 Вт	1500 Вт
180 мм чугунная конфорка	175Вт	220Вт	300Вт	850Вт	1150Вт	2000 Вт
180 мм керамический нагреватель	1800 Вт					
140 мм керамический нагреватель	1200 Вт					
140 / 250 мм керамический нагреватель	1800 Вт					
120 / 180 мм керамический нагреватель	1700 Вт					
220 / 300 мм керамический нагреватель	2400 Вт					
Напряжение питания	220-240 В AC / 380-415 В 3N AC 50/60 Гц.					

**ПРЕДУПРЕЖДЕНИЕ:** Производитель не несет ответственности за любые проблемы, возникающие из-за неправильного подключения.

**ПРЕДУПРЕЖДЕНИЕ:** Для повышения качества продукции технические характеристики могут быть изменены без предварительного уведомления.

**ПРЕДУПРЕЖДЕНИЕ:** Значения, предоставленные в таблице, являются лабораторными показаниями в соответствии со стандартами. Эти значения могут различаться в зависимости от условий использования и окружающей среды.

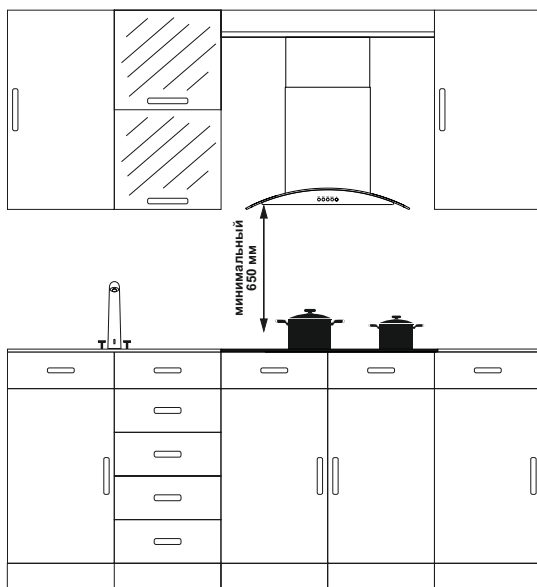
## УСТАНОВКА ВАРОЧНОЙ ПОВЕРХНОСТИ

Перед подключением прибора проверьте правильность электромонтажа. Производитель не несет ответственности за ущерб, причиненный в результате операций, совершенных не авторизованными лицами.

**ПРЕДУПРЕЖДЕНИЕ:** Установка прибора должны выполняться в соответствии с правилами местных стандартов в отношении электроустановок.

**ПРЕДУПРЕЖДЕНИЕ:** Перед установкой проверьте наличие повреждений устройства. Не устанавливайте прибор, если он поврежден. Поврежденный прибор может вызывать риск поражения электрическим током.

### Указание по монтажу



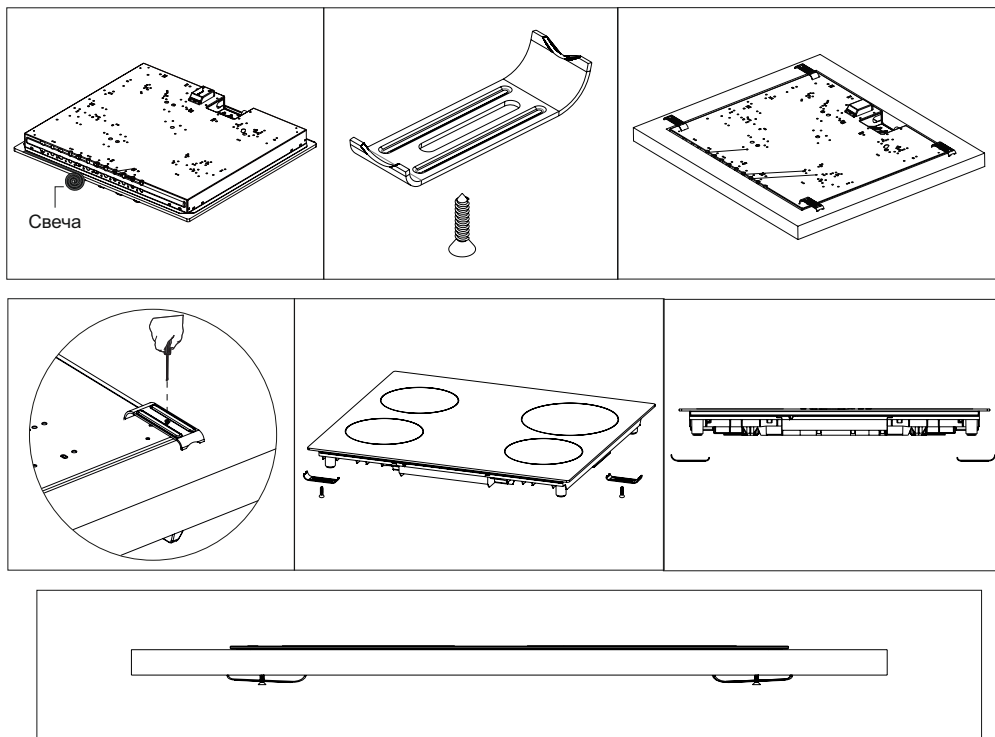
Дизайн изделия разработан в соответствии с доступными на рынке столешницами. Между стенами кухни и мебелью следует оставить безопасное расстояние. Если над поверхностью будет установлена вытяжка, то руководствуйтесь рекомендациями изготовителя вытяжки относительно высоты монтажа. (Мин. 65 см) Установка варочной поверхности на столешнице, должна производиться в соответствии со схемой монтажа.

Во время монтажа изделия следует соблюдать правила, установленные местными стандартами в части электрических работ.

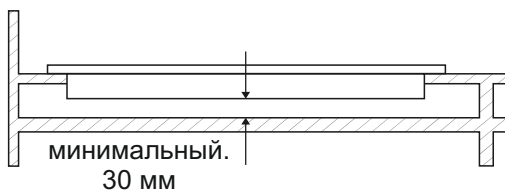
## Монтаж варочной поверхности

1. Переверните панель лицевой стороной вниз и положите на ровную поверхность.
2. Для предотвращения попадания инородных тел и жидкостей между поверхностью и столешницей нанесите мастику, предоставленную вместе с изделием, по краям нижней части.
3. Переверните варочную поверхность и установите ее на столешнице.
4. Зафиксируйте поверхность на столешнице, используя зажим и винты.

### Схема монтажа



5. В случае монтажа изделия на выдвижном ящике, если его нижняя часть остается доступной, ее следует отделить деревянной полкой.



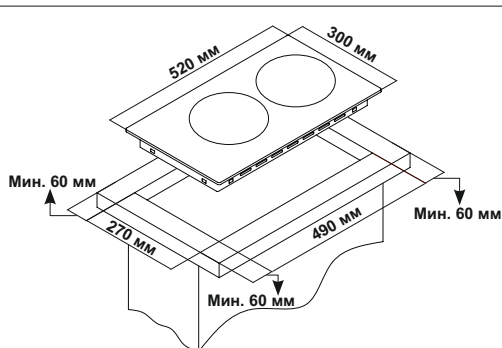
6. Во время монтажа изделия на шкафу, необходимо установить полку, как показано на рисунке выше, для того, чтобы оградить панель от шкафа. Если панель монтируется поверх встроенной духовки, в этом нет необходимости.

7. Если Ваше изделие монтируется рядом с боковой стеной, минимальное расстояние между стеной и плитой должно быть 50 мм.

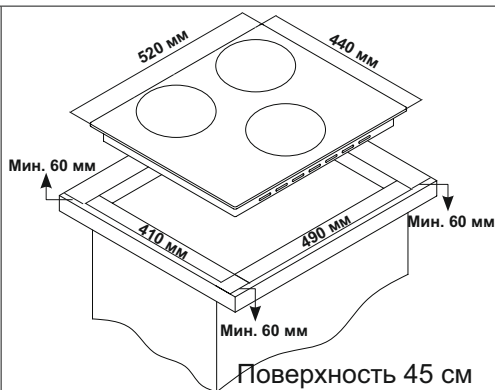


## Габаритные размеры варочной поверхности

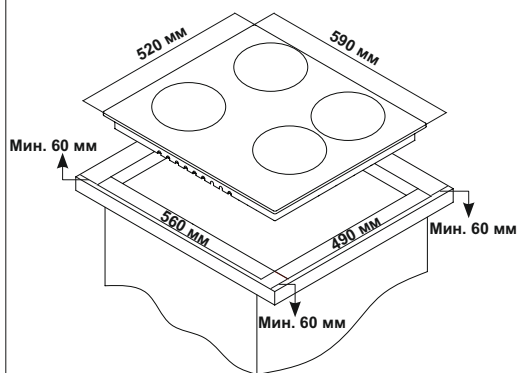
При монтаже поверхности и подготовке места для ее монтажа в столешницу следуйте предоставленным размерам.



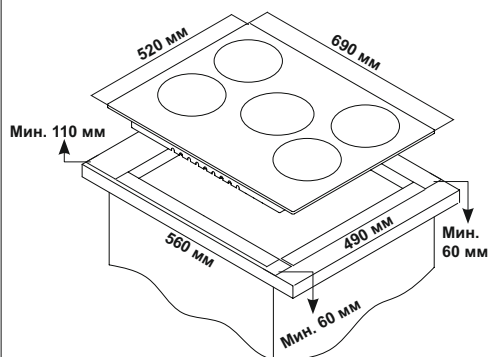
Поверхность 30 см



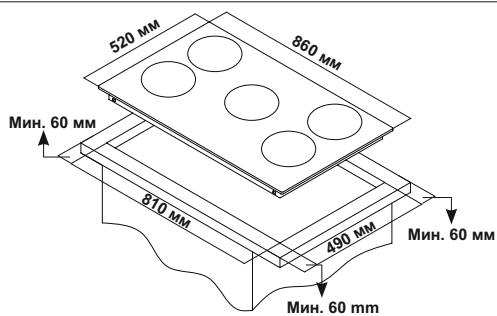
Поверхность 45 см



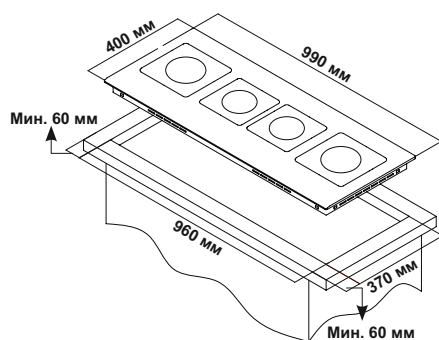
Поверхность 60 см



Поверхность 70 см



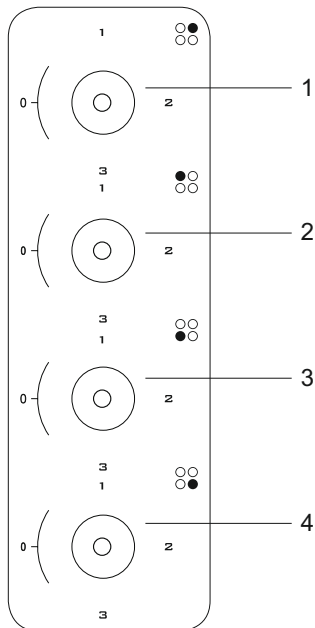
Поверхность 90 см



Поверхность 100 см

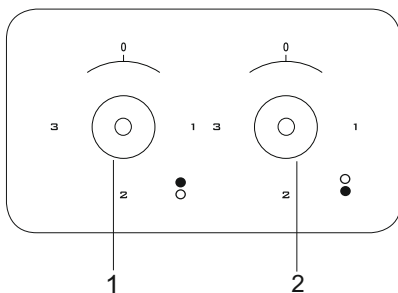
## ПАНЕЛЬ УПРАВЛЕНИЯ

### Изображение панели 60 см.



1. Электрический нагреватель 180 мм
2. Электрический нагреватель 145 мм
3. Электрический нагреватель 180 мм
4. Электрический нагреватель 145 мм

### Изображение панели 30 см



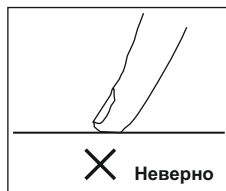
1. Электрический нагреватель 180 мм
2. Электрический нагреватель 145 мм

**ПРЕДУПРЕЖДЕНИЕ:** Указанная панель управления, приведена только в качестве примера. Принимайте во внимание панель управления, установленную на вашем приборе.

### Предупреждения при использовании сенсорного управления

1. Элементы управления реагируют на касание, поэтому вам не нужно применять какое-либо давление на элементы управления.

2. При использовании устройства прикасайтесь всем пальцем, а не только кончиком.



3. Убедитесь, что кнопки сенсорного управления всегда чистые и сухие. Даже тонкий слой воды может затруднить работу сенсорного управления.

## ЭКСПЛУАТАЦИЯ ВАРОЧНОЙ ПОВЕРХНОСТИ

1. Размещайте кастрюли и сковородки таким образом, чтобы их ручки не располагались над конфорками, для предотвращения их нагрева.
2. Кладите в кастрюли и сковородки необходимое количество продуктов. Таким образом, вы сможете предотвратить перелив продуктов и избежать ненужной чистки.
3. Не используйте посуду, которая неустойчива и может быть легко опрокинута на варочной панели.
4. Не ставьте пустые кастрюли и сковородки на панель со включенными конфорками.
5. После каждого использования всегда выключайте варочную панель.
6. Не ставьте контейнеры, на которые может воздействовать тепло.
7. Не используйте варочную панель без установленных на нее кастрюль и сковородок.
8. Не кладите крышки от кастрюль и сковородок на варочную поверхность.
9. Когда вы хотите переместить кастрюлю на другую конфорку, не двигайте ее, а переставьте.
10. Когда вы разогреваете масло, закрывайте емкость крышкой.
11. Не наливайте в кастрюлю масло объемом более одной трети самой кастрюли. Не оставляйте кастрюлю без присмотра, когда масло нагревается. Чрезвычайно горячие масла могут стать причиной пожара.
12. Используйте кастрюли и сковородки только с обработанными основаниями. Острые края оставляют царапины на поверхности.
13. Не используйте алюминиевые кастрюли и сковородки. Алюминий вызывает повреждение поверхности варочной панели.



Брызги и переполнение могут повредить поверхность варочной панели и привести к пожару.



Не используйте посуду с выпуклым или вогнутым основанием.



Если диаметр кастрюли меньше диаметра конфорки, это приведет к потере энергии.



Используйте кастрюли и сковородки только с плоскими основаниями.

## ТЕХНИЧЕСКОЕ ОБСЛУЖИВАНИЕ И ЧИСТКА

Перед тем, как начать техническое обслуживание или чистку, вначале выньте из розетки штепсельную вилку, обеспечивающую поступление электричества к поверхности. Если поверхность горячая, дождитесь когда она остынет.

**1.** Регулярно проводите очистку и техническое обслуживание варочной поверхности.

**2.** Для очистки плиты не пользуйтесь твердыми предметами, такими как жесткая щетка, проволочная губка или нож. Не используйте абразивные вещества, кислоты и едкие моющие средства.

**3.** Протрите поверхность мыльным раствором, смойте водой, а затем тщательно вытрите мягкой тканью.

**4.** Очищайте стеклянные поверхности специальными средствами для чистки стекол.

**5.** Не очищайте поверхность паровыми очистителями.

**6.** Для чистки поверхности не используйте кислоту, растворитель, керосин и другие горючие вещества.

**7.** Не мойте пластиковые и алюминиевые детали поверхности в посудомоечной машине.

**8.** Избегайте попадания на поверхность уксуса, лимонного сока, соли, колы и других кислотных и щелочных веществ.

## ПОИСК И УСТРАНЕНИЕ НЕИСПРАВНОСТЕЙ

Перед тем, как обратиться в сервис, попробуйте воспользоваться следующими рекомендациями по устранению неисправностей.

### Если варочная поверхность не включается:

1. Проверьте, вставлена ли штепсельная вилка электрического кабеля в розетку.
2. Проверьте безопасными способами наличие электричества в сети.
3. Проверьте предохранители.
4. Проверьте наличие повреждений электрического кабеля.

### ПРАВИЛА ТРАНСПОРТИРОВКИ

1. Переносите и перевозите прибор в оригинальной упаковке.
2. При погрузке / разгрузке и перевозке соблюдайте крайнюю осторожность.
3. Перед переносом и транспортировкой убедитесь, что прибор надежно упакован.
4. Защищайте упаковку от внешних факторов (таких как влажность, вода и т. д.), которые могут повредить упаковку.

## УТИЛИЗАЦИЯ БЫТОВОЙ ТЕХНИКИ

1. Данное изделие не содержит опасных и запрещенных веществ. Соответствует требованиям положений Директивы ЕС об отходах электрического и электронного оборудования
2. Данное изделие произведено из высококачественных деталей и материалов, которые могут быть переработаны и повторно использованы.
3. Не следует выбрасывать ваше изделие вместе с бытовыми отходами по истечении его срока службы. Необходимо сдать его в пункт сбора для переработки отходов электрического и электронного оборудования.

Помогите защитить окружающую среду и природные источники путем переработки отработанных изделий.

## УПАКОВКА

Материалы упаковки устройства произведены из перерабатываемого материала в соответствии с нашим национальным законодательством. Не выбрасывайте упаковочные материалы вместе с бытовыми и иными отходами, сдавайте их в пункты сбора упаковочных материалов.

В целях безопасности детей перед утилизацией данного изделия необходимо отрезать электрический кабель, чтобы предотвратить его включение.



Страна происхождения - Турция

Изготовитель:

**«СЕРСИМ ДАЙАНЫКЛЫ ТЮКЕТИМ МАЛЛАРЫ САНАЙИ ВЕ ТИДЖАРЕТ КОЛЛЕКТИФ ШИРКЕТИ ИБРАХИМ ВЕ МУСТАФА УСТАОГЛУ»,**

**Юр.адрес: Кайсери Сербест Бёлгеси, Анбар SB Махаллеси, 12 Джадде, Серсим ситеси KSR-125/130, Апартаман №17, Меликгази, Кайсери, Турция**

**Адрес производства: Сербест Бёлге, 12 Джадде №18, Меликгази, Кайсери, Турция**

**«SERSIM DAYANIKLI TUKETIM MALLARI SANAYI VE TIGARET KOLLEKTIF SIRKETI IBRAHIM VE MUSTAFA USTAOGLU»,**

Legal address: Kayseri Serbest Bolgesi, Anbar SB Mahallesi, 12 Cadde, Sersim Sitesi, KSR-125/130, Apartman №17, Melikgazi, Kayseri, Turkiye

Manufacturer's address: Serbest Bolge 12. Cadde No.18, Melikgazi, Kayseri, Turkiye

Импортер/Организация, уполномоченная на принятие претензий от покупателей:

**ООО «СИМРУС» ИНН 7717705825, КПП 771901001, ОГРН 1117746641891**

**Юридический /фактический адрес: 105318, Москва, Ткацкая ул. д. 5, корп.7, этаж 2**

При возникновении гарантийного случая необходимо обращаться в авторизованные сервисные центры. Список авторизованных сервисных центров обслуживания в Вашем городе указан в данном руководстве по эксплуатации. Если в Вашем городе отсутствует авторизованный сервисный центр, Вам следует обратиться в магазин, где Вы приобрели товар.

Получить информацию о сервисном обслуживании в Вашем городе Вы можете по телефонам: 8 (495) 969-02-86, 969-02-87

Срок гарантии - 12 месяцев

Срок службы - 10 лет

Дата изготовления – указана на изделии

