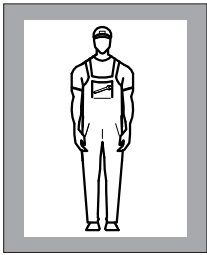





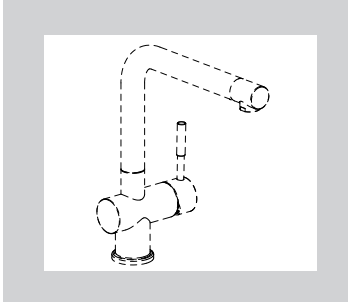
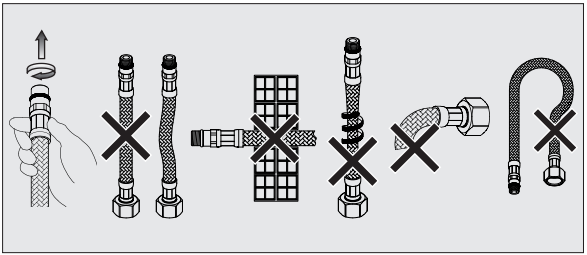
SMEG S.p.A.
Via Leonardo Da Vinci, 4
42016 Guastalla (RE)
Tel. 0522.8211 Fax 0522.838337
E mail: smeg@smeg.it



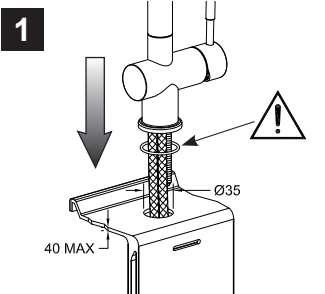


Max 70° Celsius
Max 158° Fahrenheit
5° - 60° Celsius
41° - 140° Fahrenheit

3 bar
43 psi


Max 5 bar
Max 72 psi

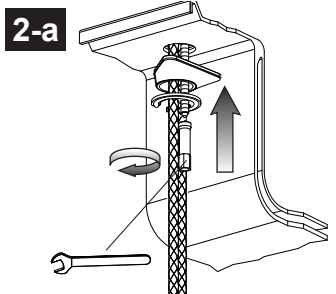


1

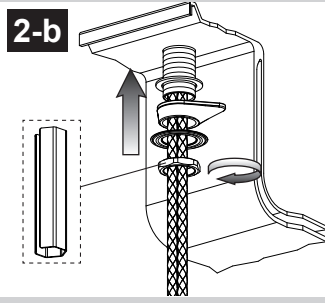


Ø35
40 MAX

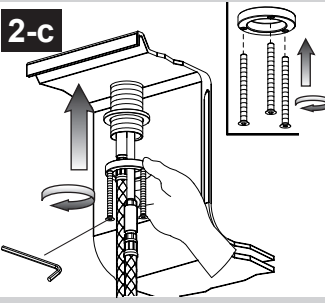
2-a



2-b

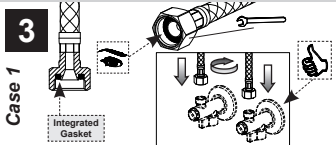


2-c



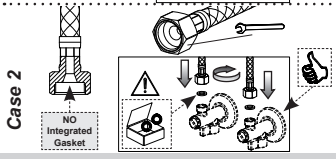
3

Case 1

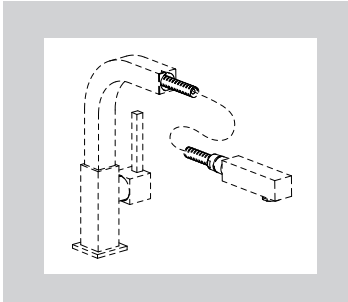


Integrated Gasket

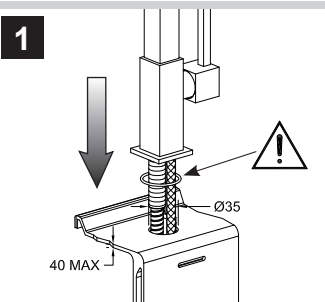
Case 2



NO Integrated Gasket

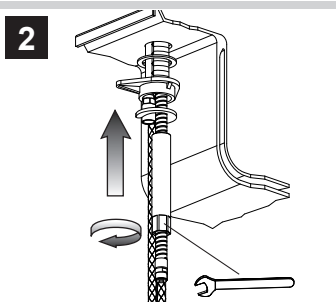


1

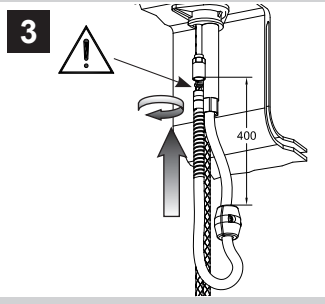


Ø35
40 MAX

2



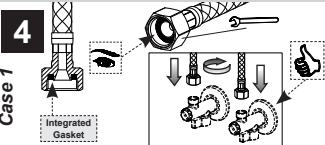
3



400

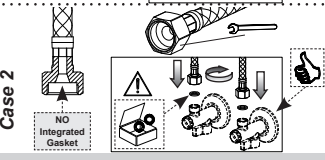
4

Case 1



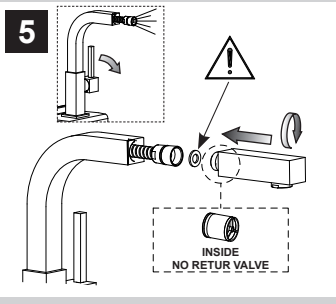
Integrated Gasket

Case 2



NO Integrated Gasket

5



INSIDE
NO RETUR VALVE

